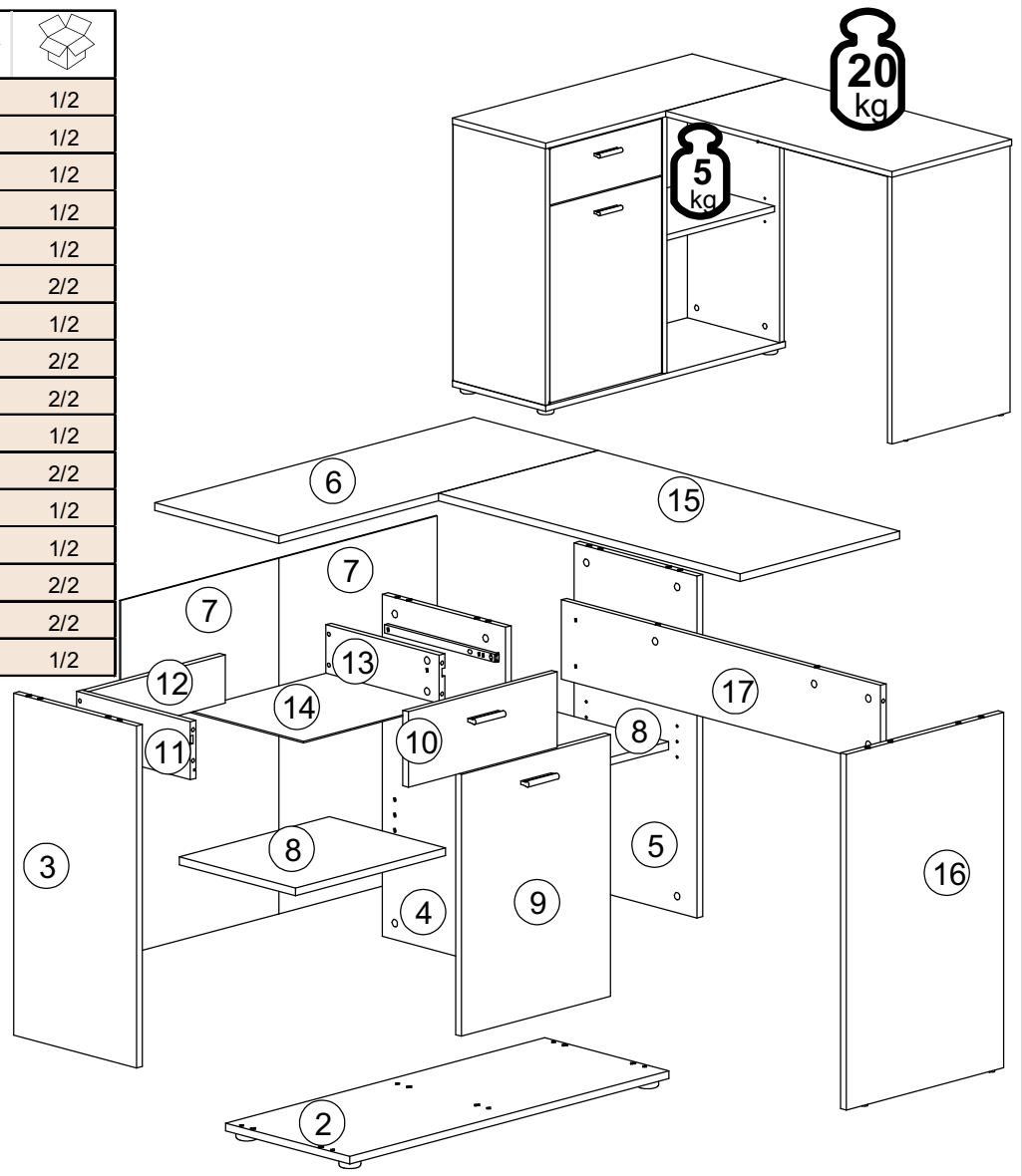


KALIMERO

Art.-Nr.	255339	1200	1/6
	255340	756	
		900	Z0
		mm	

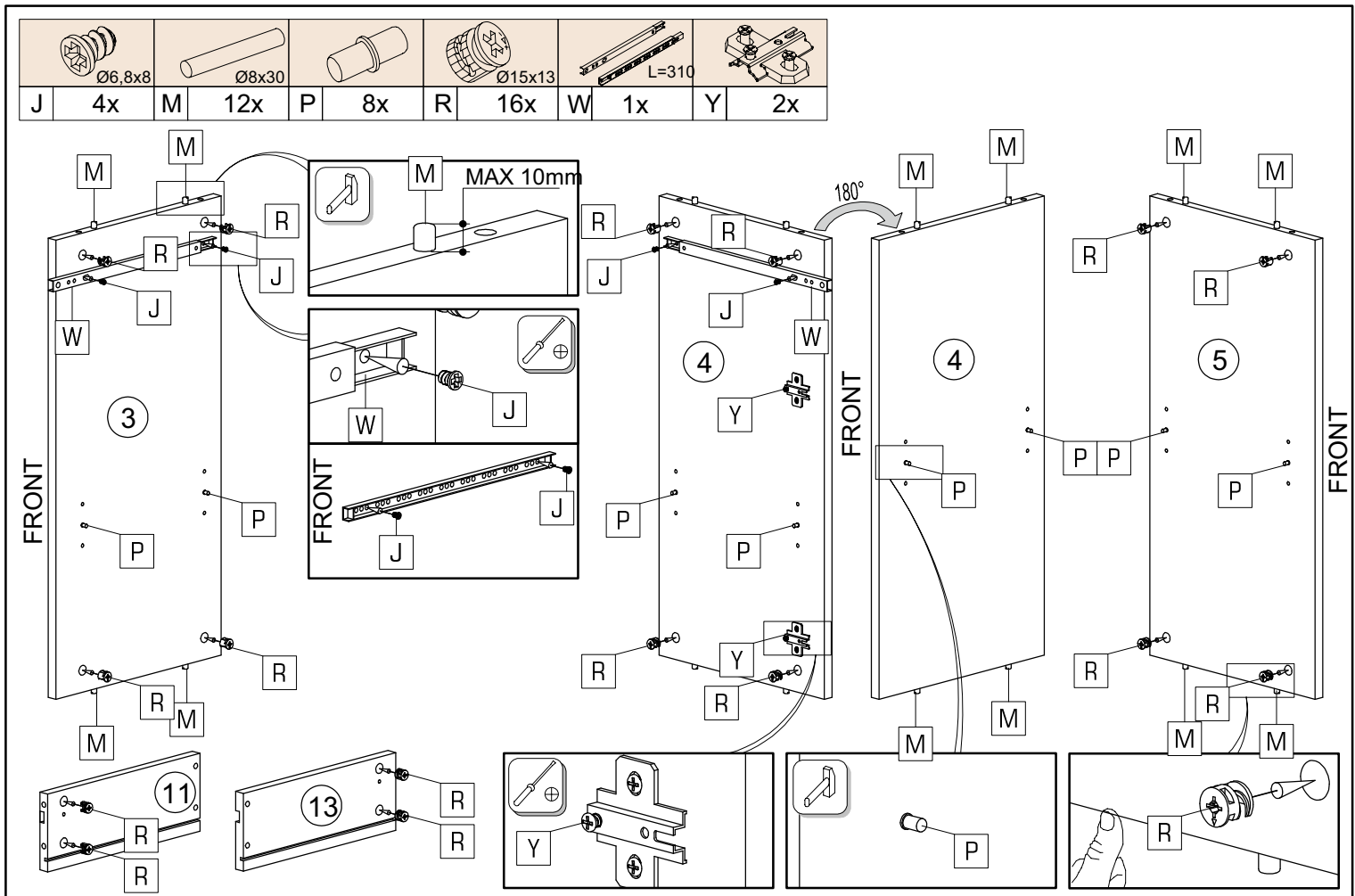
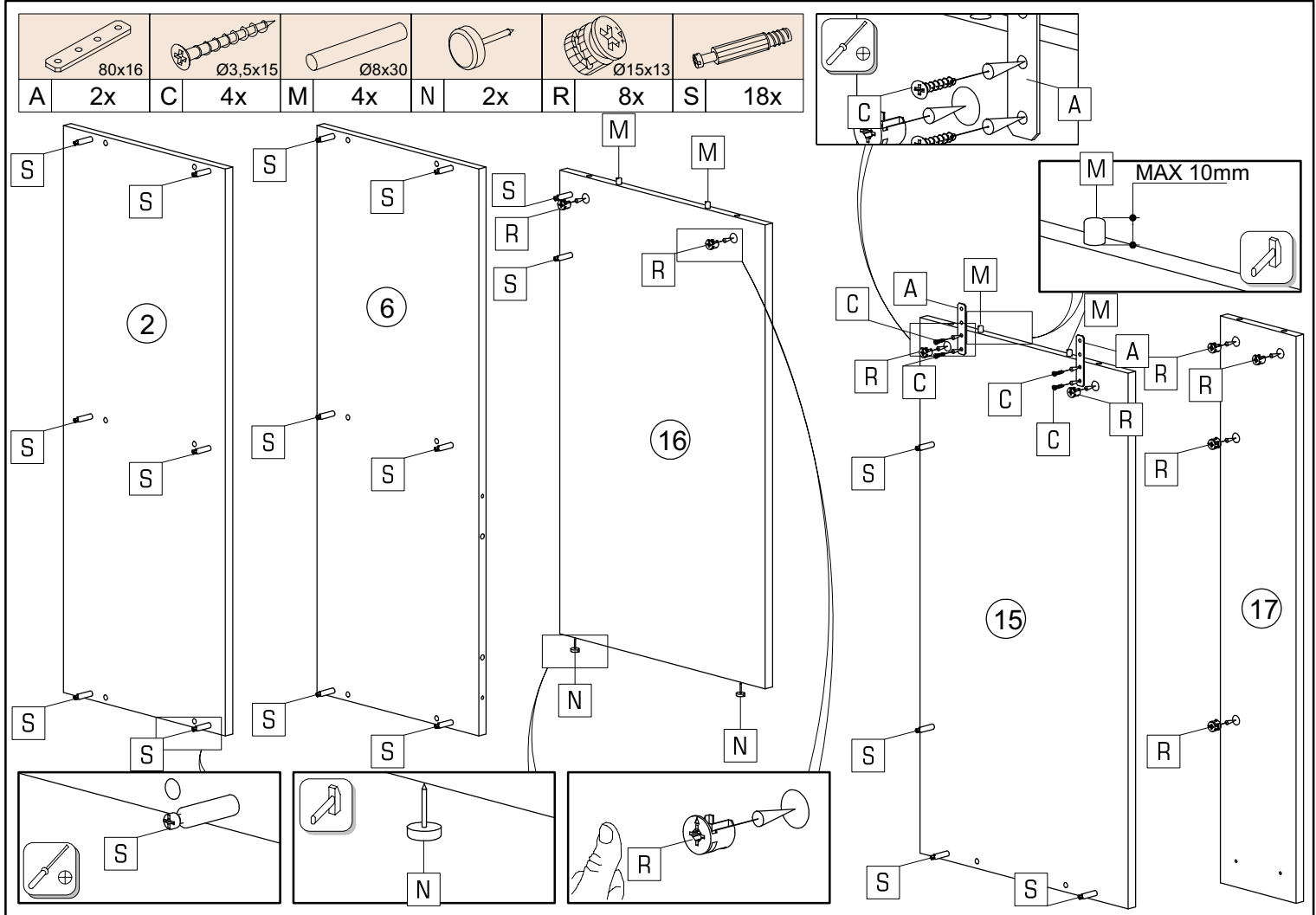
	120min		≤ 0,5 kg	3m			4	300 mm
--	--------	--	----------	----	--	--	---	--------

ID	ID	Icon	Icon	Icon
16436	②	900*350*16	1x	1/2
16437	③	708*347*16	1x	1/2
16438	④	708*347*16	1x	1/2
16439	⑤	708*347*16	1x	1/2
16440	⑥	900*350*16	1x	1/2
16441	⑦	734*446*3	2x	2/2
16442	⑧	423*328*16	2x	1/2
16443	⑨	542*420*16	1x	2/2
16444	⑩	420*156*16	1x	2/2
13681	⑪	320*120*16	1x	1/2
16446	⑫	386*100*16	1x	2/2
13682	⑬	320*120*16	1x	1/2
16448	⑭	326*396*3	1x	1/2
16449	⑮	850*450*16	1x	2/2
16450	⑯	736*444*16	1x	2/2
16451	⑰	900*96*16	1x	1/2

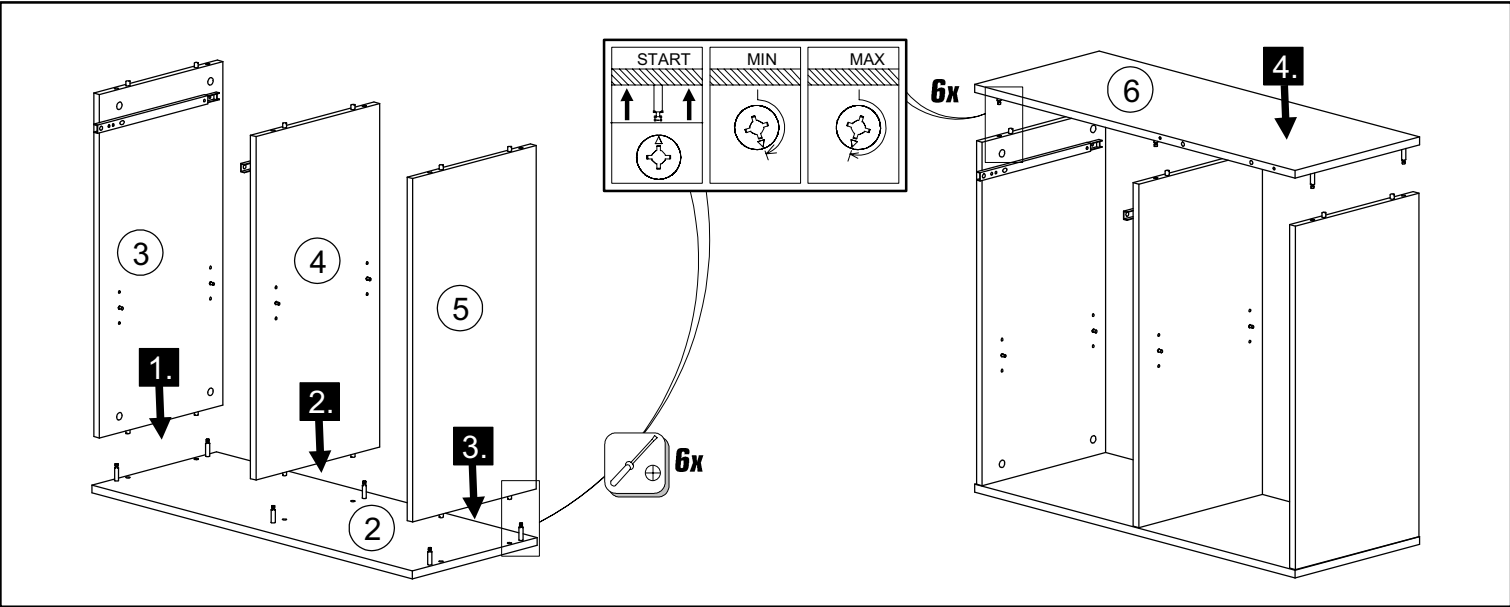
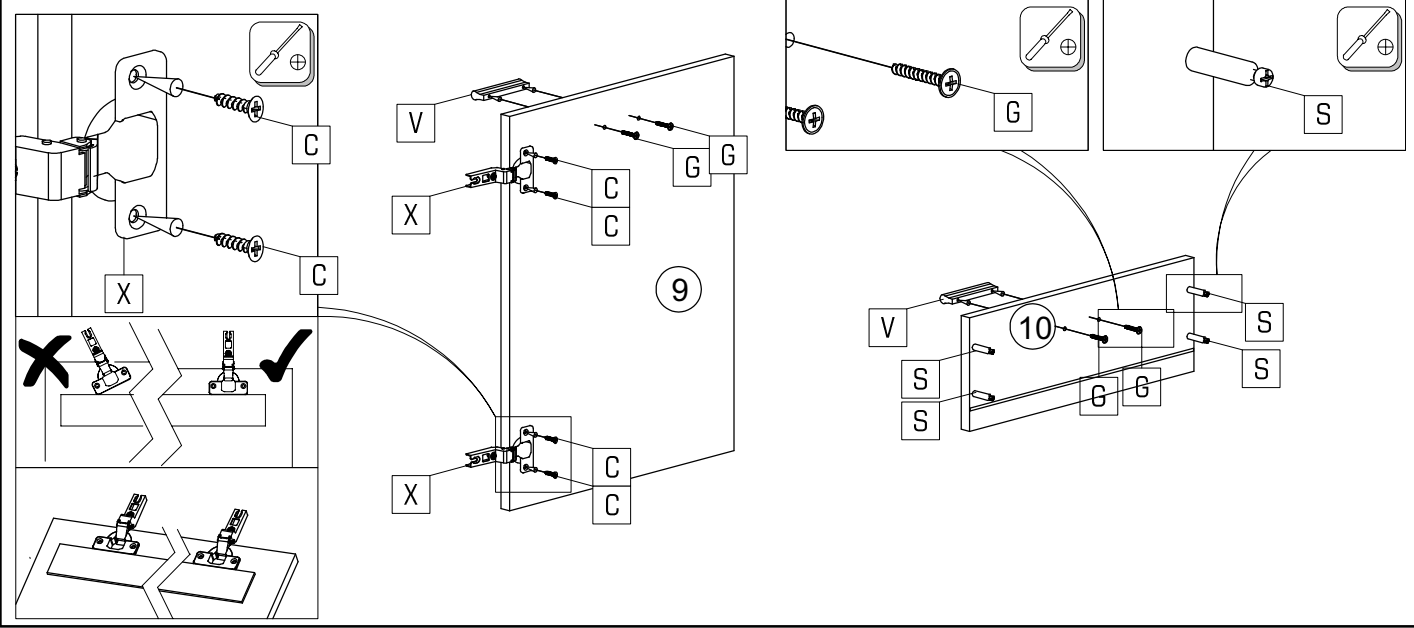


9290,00		80x16	A	2x	22236,00		Ø2,5x16	B	7x	22243,00		Ø3,5x15	C	12x	22244,01		Ø3,5x16	D	4x	22250,00		Ø4x25	E	7x	22300,00		Ø7x50	F	4x	22430,00		Ø4x25	G	4x	22502,00		M4x12	H	2x	22705,00		Ø6,8x8	J	4x
22800,01		4	K	1x	24008,00		3,0	L	7x	27000,00		Ø8x30	M	16x	30091,00			N	2x	35101,01			P	8x	50553,00			Q	1x	70013,01		Ø15x13	R	24x	70021,01			S	24x				T	20x
30080,00		Ø44x15	U	5x	32314,01		L=84	V	2x	33019,00		L=310	W	1x	36001,01			X	2x	36001,01			Y	2x	21102,00		Ø1,6x20	Z	50x															

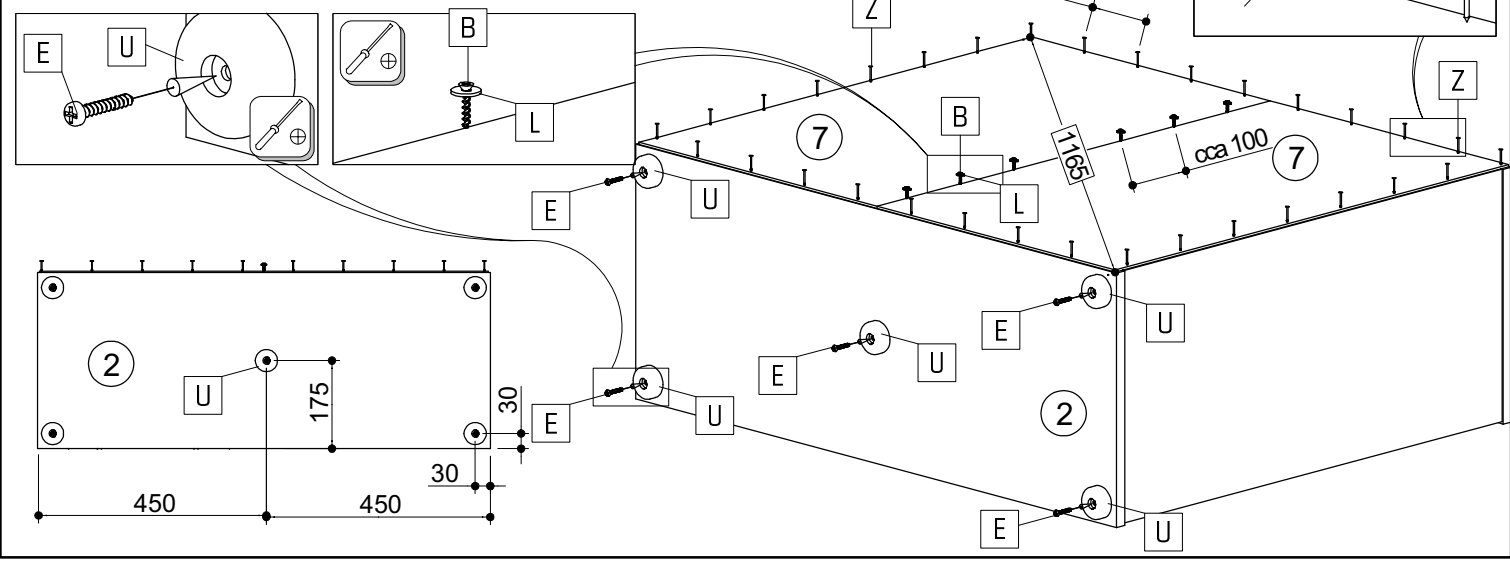
--	--	--	--	--	--	--	--	--	--	--

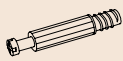


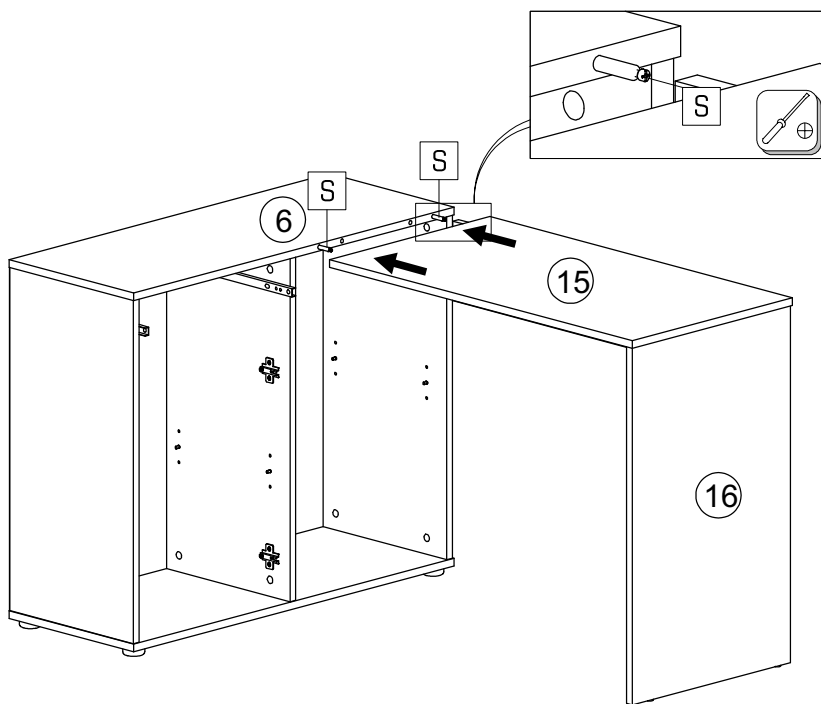
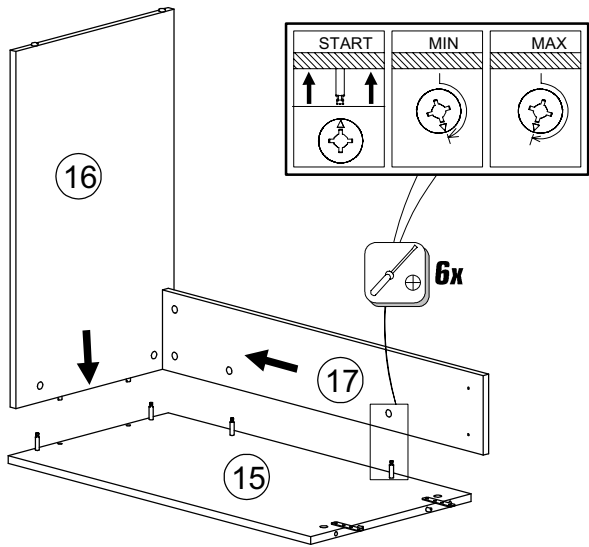
C 4x	G 4x	S 4x	V 2x	X 2x

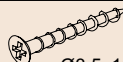



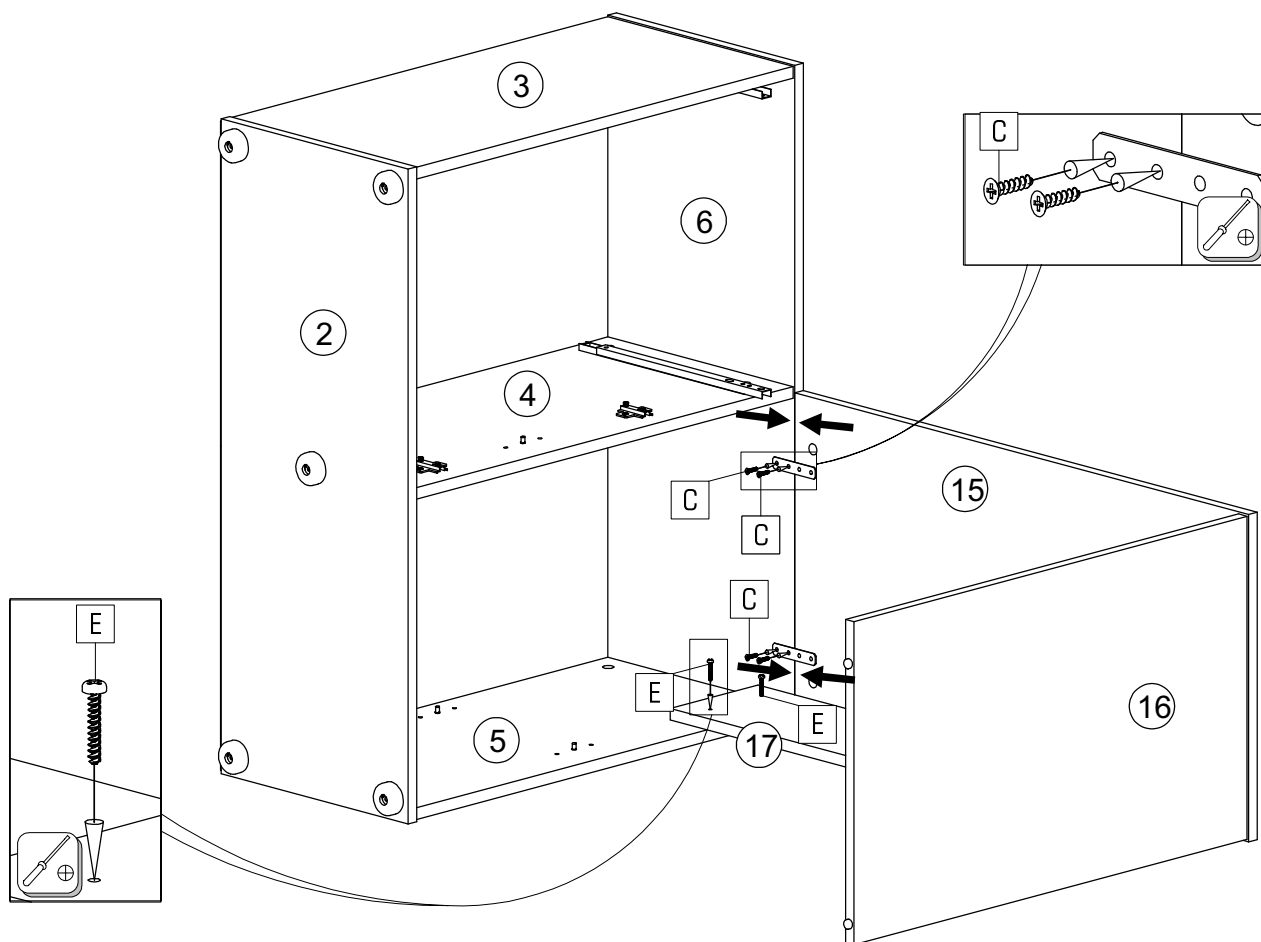
B 7x	E 5x	L 7x	U 5x	Z 34x

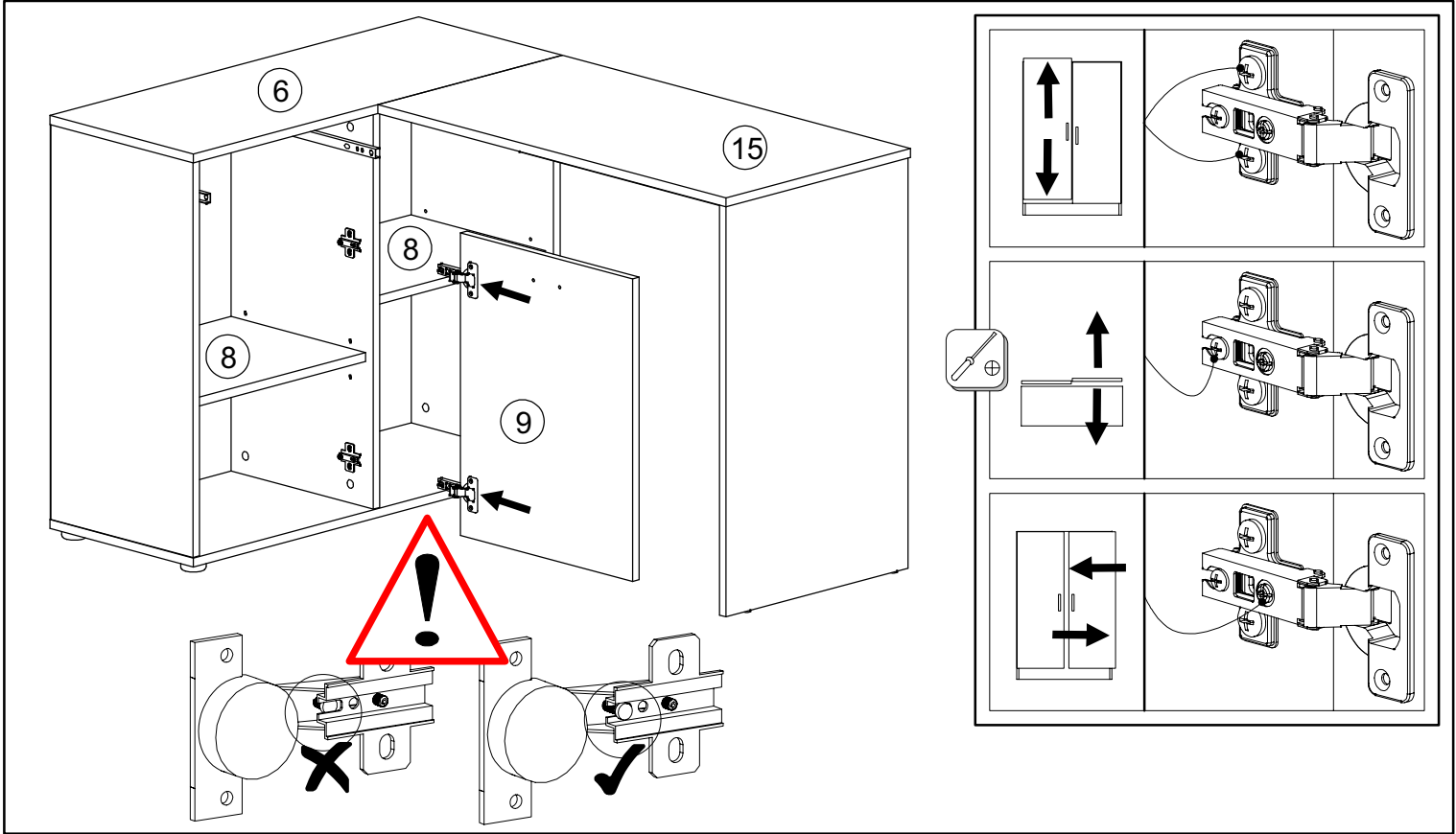


	S	2x
----------------------------------------------------------------------------------	---	----

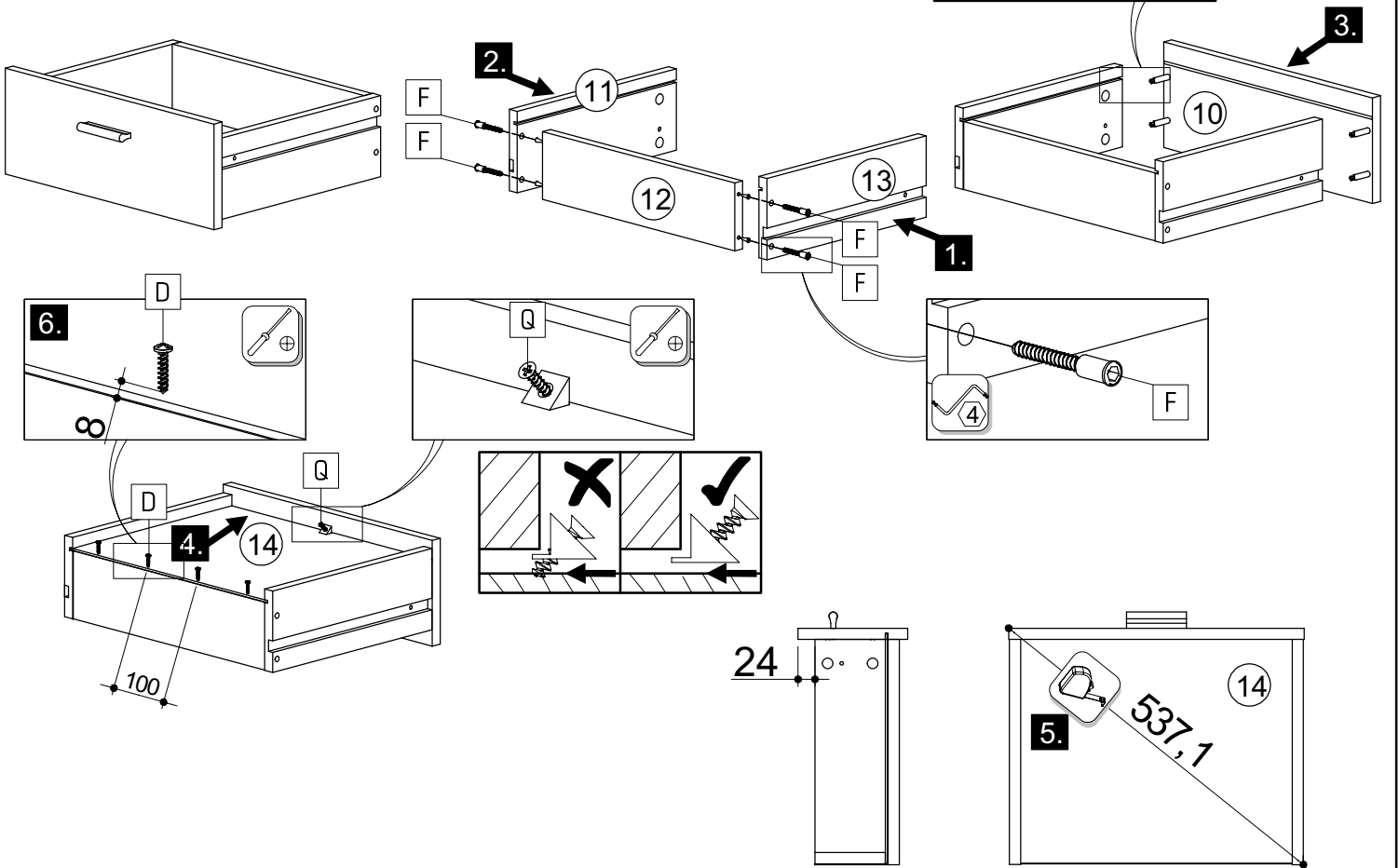
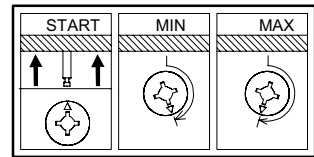




	Ø3,5x15	C	4x		Ø4x25	E	2x
----------------------------------------------------------------------------------	---------	---	----	-----------------------------------------------------------------------------------	-------	---	----





	$\text{Ø}3,5 \times 16$		$\text{Ø}7 \times 50$		
D	4x	F	4x	Q	1x



	M4x12		
H	2x	T	20x

